

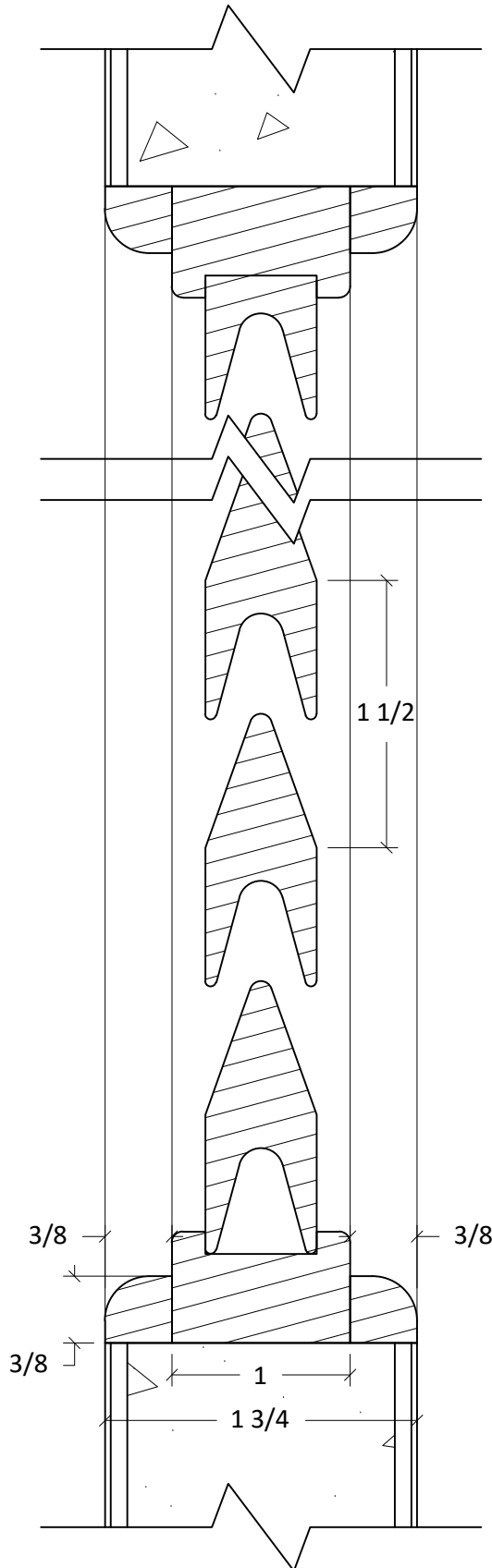
Algoma

WOOD PRODUCTS

A Division of CTI Hospitality, Inc.



HOTEL INTERIOR SPECIALISTS
phone:
(920)487-5209



MOULDING TYPE

LOUVERS

PROFILE

LVR-103
(STANDARD BEADING)

REVISIONS

① ^x		
② ^x		X
③ ^x		X
④ ^x		X
⑤ ^x		X
⑥ ^x		X
⑦		
⑧		

DRAWING STATUS

RELEASED

LEGAL NOTICE

THIS DRAWING AND THE DESIGN SHOWN HEREIN ARE THE EXCLUSIVE PROPERTY OF CTI HOSPITALITY INC. AND MAY NOT BE COPIED, DISPERSED TO OTHERS OR UTILIZED FOR THE PURPOSE OF MANUFACTURING OR PROVIDING PRODUCT WITHOUT WRITTEN PERMISSION FROM CTI HOSPITALITY INC.

DRAWN BY: AGJ
DATE: X/XX/XX

SHEET #: **1.0**